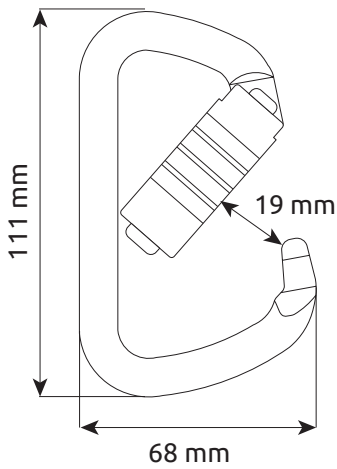
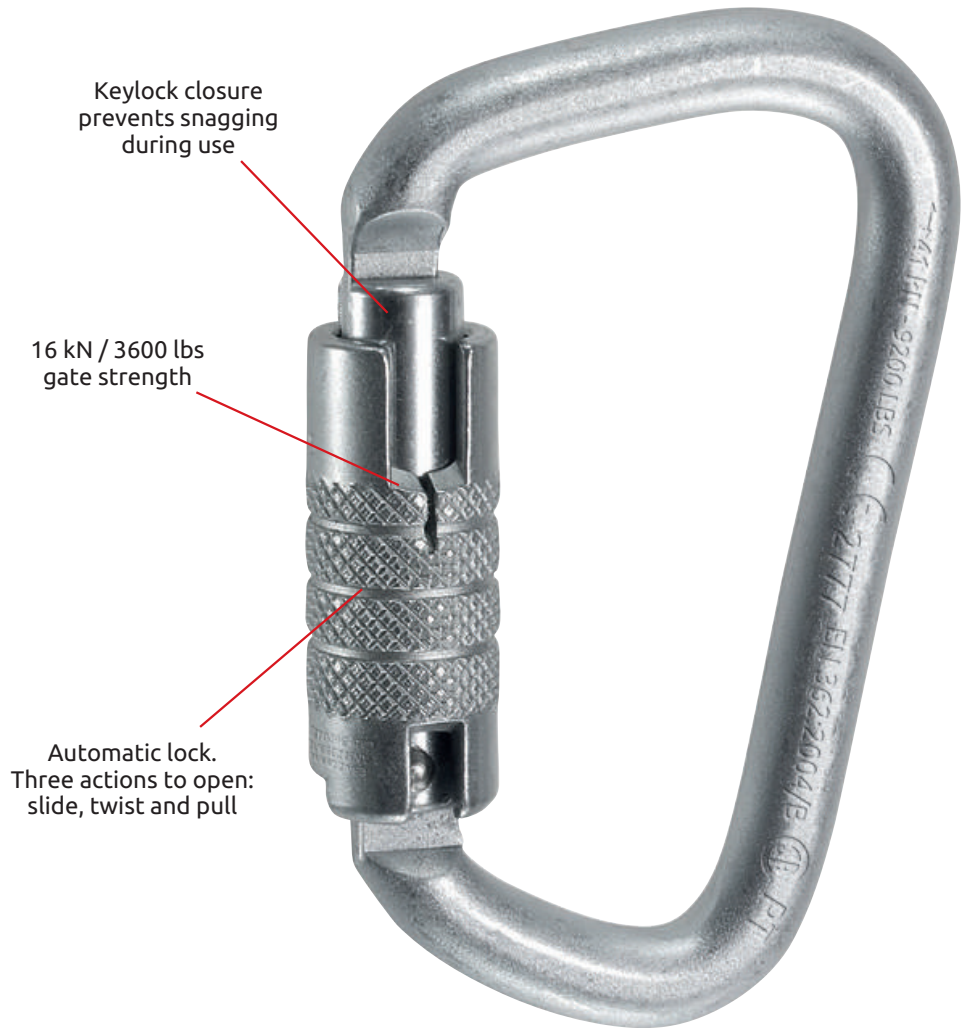


High strength steel carabiner. D shape makes it particularly good for use with knots.
 ANSI and CSA certified with 16 kN / 3600 lbs gate strength.
 Keylock closure prevents snagging during use.
 Automatic lock requires three actions to open: slide, twist and pull.
 2022 UPDATE: new name (D PLUS 3LOCK instead of ANSID 3LOCK).



Ref.	Product name	Weight									
		g	oz	kN	kN	mm	mm	mm	EN 362	Z359.12	Z259.12
2145	D PLUS 3LOCK	250	8.8	41	16	19	111	68	B	•	•