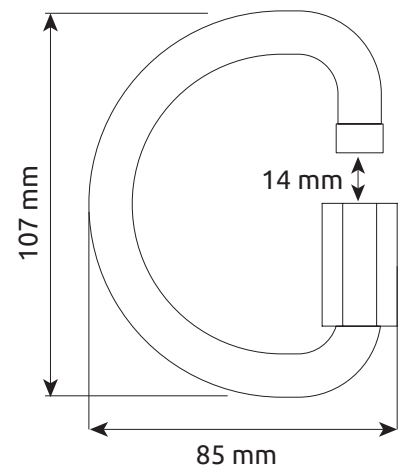


Aluminum alloy D shaped quick link with a stainless steel screw gate closure. The wide, rounded shape of the body is ideal for bridging the connection between "A/2" double sternal attachment points on some full body harnesses. Guaranteed strength of 15 kN when pulled in any direction.

Constructed from 12 mm rod. Requires 17 mm open-end wrench to lock or open.



Connection to the "A/2" attachment points of a fullbody harness and to a lanyard



Ref.	Product name	Weight									
		g	oz						kN	kN	
0671	D QUICK LINK ALU 12 mm	125	4.4	25	16	14	107	85	Q	Q	•