

OVAL STANDARD LOCK

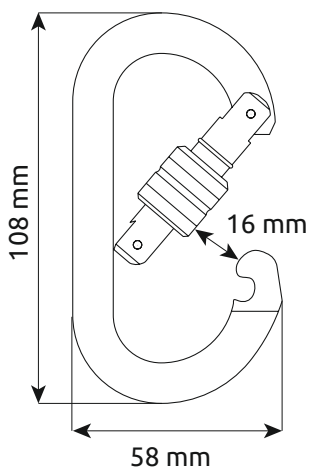
CARABINER

Ref. 0981E

Ref. 0981E01 - 5 pcs

Simple and versatile steel oval carabiner for basic fall arrest and positioning applications.
Screw gate locking system.

NEW: available in a 5 pack, individual carabiners cannot be sold separately (comes with one user manual).



Ref. 0981E01 - 5 pcs



Ref.	Product name Nombre del producto	Weight Peso								CE		EAC
		g	oz							kN	kN	
0981E	OVAL STANDARD LOCK	160	5.6	28	7	10	16	108	58	B	B	•