

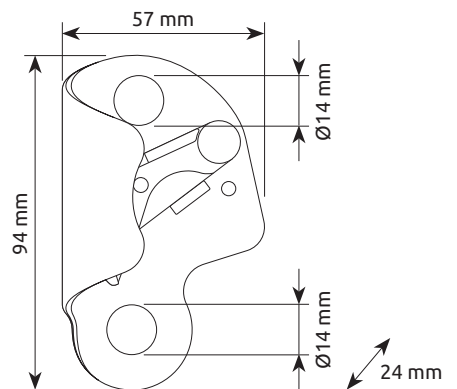
A hyperlight compact ascender with an ergonomic design that makes it very easy to use. Perfect for ascension, verified for traversing, and can also be used in block-and-tackle systems. The lower hole is shaped for optimal positioning of the carabiner while the upper hole fits a safety carabiner to secure the rope. The toothed cam is finished with a special anti-wear treatment and features drain holes to help prevent the build up of mud and grit. The opening mechanism is simple and secure with the ability to lock the device open for easier attachment and a removable pull cord that makes it easier to operate while wearing gloves. Aluminum alloy body, precision-cast steel cam.

Standards:

- EN 12841/B for semi-static ropes ranging from 10 to 13 mm.
- EN 567 for semi-static and dynamic ropes ranging from 8 to 13 mm.



SOLO 2 BLACK
225701



PULLER FOR TURBOCHEST / SOLO 2

0778, 10 g, 0.4 oz



Spare pull tabs for the Solo 2 and Turbochest ascenders. Sold in packs of 10 pcs.

Ref.	Product name	Weight		Rope diameter		CE		ERC
		g	oz	Min - mm	Max - mm	EN 12841/B	EN 567	
2257	SOLO 2	95	3.4	8	13	•	•	•
225701	SOLO 2 BLACK							